



**BLACK UNICORN FRANCE**  
25 Rue Auguste Simondon  
69530 Brignais  
FRANCE  
+33 4 78 62 96 95  
contact@blackunicornfrance.fr

**Olivier DENEUVIS**  
Rolling D.O.P  
French Market Manager  
(English, French)  
+33 6 50 83 64 71  
contact@blackunicornfrance.fr

**Arnaud-Emmanuel VERON**  
Crane Operator  
Business development lead  
(English, French)  
+33 6 64 34 41 74  
arnaud@blackunicornfrance.fr

**Head Office**  
Bohemian Unicorn s.r.o.  
Naardenská 668/17  
162 00 Praha-Liboc  
CESKA REPUBLIKA  
info@bohemianunicorn.com

**Jean-Luc FORNIER**  
CEO Bohemian Unicorn s.r.o.  
Head of Technical Department.  
(English, French)  
+ 420 721 290 719  
jeanluc@bohemianunicorn.com



# BLACK UNICORN FRANCE CCS

## THE MOST ADVANCED AND VERSATILE GYROSTABILIZED CAR CRANE SYSTEM

DESIGNED FOR THE MOST DEMANDING SHOOTING CONDITIONS, IT PRODUCES THE MOST STABLE FOOTAGE ON ANY TERRAIN EVEN AT HIGH SPEED

### CRANE

#### DARE DYNAMIC SHOOTINGS

Gyrostabilized and remotely controlled, the BLACK UNICORN crane is designed to produce extremely stable footage.

Its high precision, ease of use and powerful characteristics will allow you to complete dynamic shootings in the most demanding conditions.

#### LIGHT & AGILE

The BLACK UNICORN crane can operate camera setups up to 40 kg. It is light and agile and allows shooting at over 160 km/h on-road and 90 km/h off-road. It is operated from inside the vehicle with a professional grade remote controller.

#### CAR CRANE SPECIFICATIONS

Possible crane length configurations:

**4m20 / 5m35 / 6m45 / 7m55**

360°+ panning capability

Pan speed: 360° / 4,5 sec

Nominal voltage 60 VDC

Speed and position limits plus stabilization control available from remote controller

Max. weight with maximum payload: 790 kg

### GYROSTABILIZED HEAD

#### FLAWLESS STABILISATION

BLACK UNICORN Digital Head combines high power characteristics, pinpoint stabilization accuracy and ease of use. BLACK UNICORN Digital Head contains the highest technical features needed to provide the best filmmaking experience.

#### UNIQUE ALGORITHMS

Unique digital algorithms provide the highest image stabilization quality even in the most adverse conditions.

BLACK UNICORN Head is supplied with a long camera plate, radio focus system equipped with 3 wireless optical drives, and with various vibration isolators.

#### CAMERA HEAD SPECIFICATIONS

Pan range 360° (± 4 turns each way)

Tilt range 360°

Dutch range 360° (± 4 turns each way)

Pan, dutch, tilt speed 240°/sec

Payload capacity up to 40 kg

Stabilization accuracy: 1.5 arcmin

Camera power 12-24 VDC

Operating range: from -30°C to +50°C

Waterproof IP65

### CAR

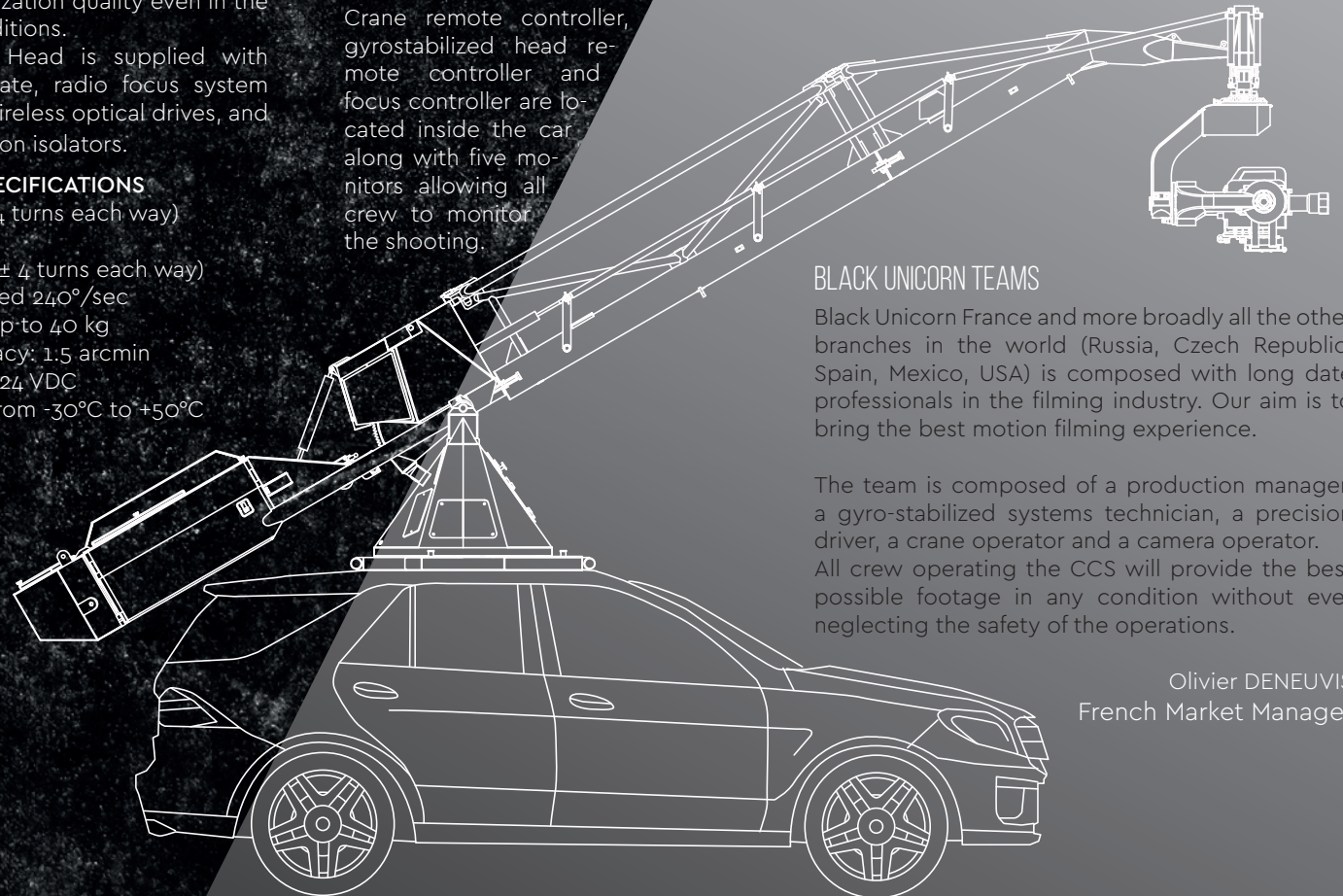
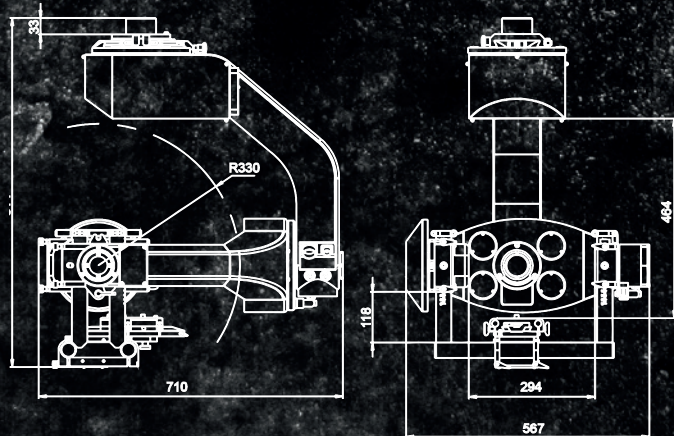
#### RAW POWER

Our Mercedes ML63 AMG was specially customized to carry the BLACK UNICORN crane and head, its powerful 550 Horse Power engine and permanent four wheel drive allows for high speeds even off-road.

### CONTROL SYSTEM

Crane remote controller, gyrostabilized head remote controller and focus controller are located inside the car along with five monitors allowing all crew to monitor the shooting.

EXPERIENCE THE BEST IN MOTION FILMING.



### BLACK UNICORN TEAMS

Black Unicorn France and more broadly all the other branches in the world (Russia, Czech Republic, Spain, Mexico, USA) is composed with long date professionals in the filming industry. Our aim is to bring the best motion filming experience.

The team is composed of a production manager, a gyro-stabilized systems technician, a precision driver, a crane operator and a camera operator. All crew operating the CCS will provide the best possible footage in any condition without ever neglecting the safety of the operations.

Olivier DENEUVIS  
French Market Manager